

SP9

SINGLE-POINT LOAD CELL for platforms 400x400 mm

Manufactured according to OIML R60 standards

Capacity from 10 kg to 200 kg



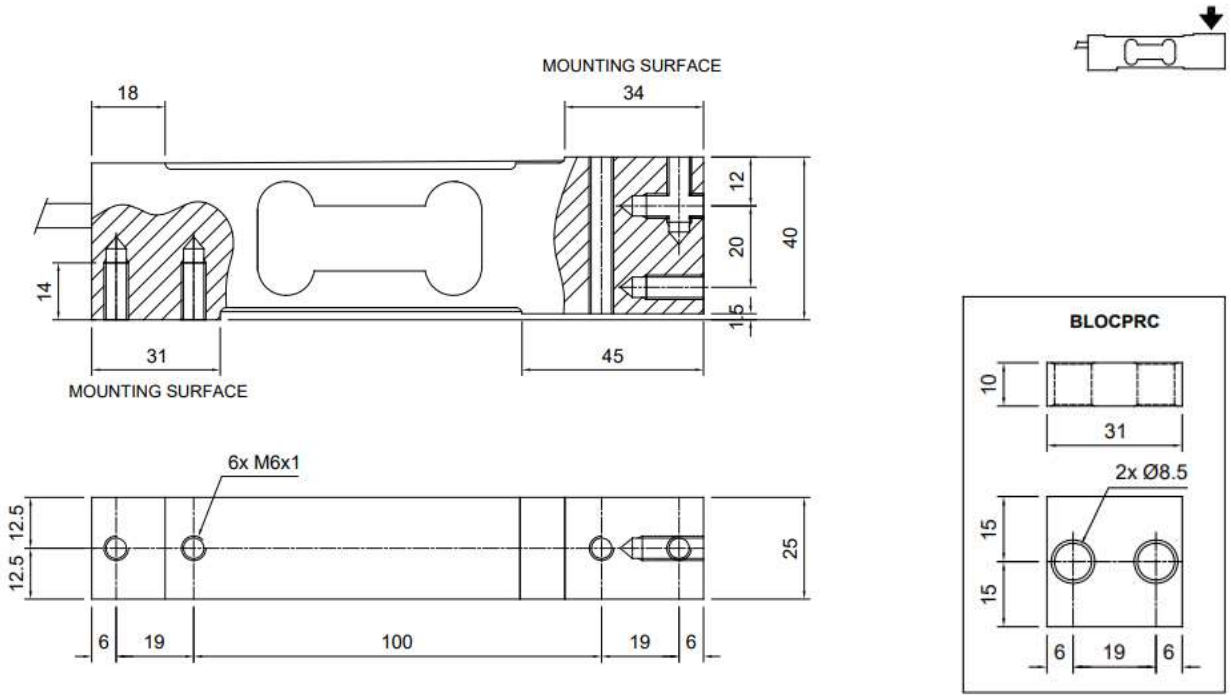
IP67

- AISI 420 STAINLESS STEEL
- COMBINED ERROR $\leq \pm 0.03\%$
- PROTECTION CLASS IP67



CAPACITY	kg	PLATFORM (mm)	NET WEIGHT (kg)	CODE
	10	400 x 400	1	SP9-10
	30	400 x 400	1	SP9-30
	50	400 x 400	1	SP9-50
	100	400 x 400	1	SP9-100
	200	400 x 400	1	SP9-200

DIMENSIONS (mm)



TECHNICAL FEATURES

Material	AISI 420 Stainless steel		
Nominal load (E max)	10 - 30 - 50 - 100 - 200 kg		
Combined error	≤±0.03%		
Protection class	IP67		
Rated output	2 mV/V ±10%	Input resistance	385 Ω ±30
Temperature effect on zero	0.0025% °C	Output resistance	350 Ω ±3
Temperature effect on span	0.0025% °C	Zero balance	± 1%
Compensated temperature range	-10 °C / +40 °C	Insulation resistance	>2000 MΩ
Operating temperature range	-20 °C / +60 °C	Safe overload (% of full scale)	150%
Creep at nominal load in 30 minutes	0.03%	Ultimate overload (% of full scale)	300%
Max supply voltage without damage	18 V	Deflection at nominal load	0.5 mm

ELECTRICAL CONNECTIONS

Cable length	6 m
Cable diameter	5 mm
Cores	6 x 0.20 mm ²

