

# SP7

SINGLE-POINT LOAD CELL for platforms 400x400 mm



Capacity from 10 kg to 50 kg

- 17-4 PH STAINLESS STEEL
- COMBINED ERROR  $\leq \pm 0.02\%$  (0.017% C4)
- PROTECTION CLASS IP68



CAPACITY	kg	ACCURACY CLASS		PLATFORM (mm)	NET WEIGHT (kg)	CODE
		C3	C4			
10		•	•	400 x 400	0.9	SP7-10
20		•	•	400 x 400	0.9	SP7-20
50		•	•	400 x 400	1	SP7-50

## CERTIFICATIONS



OIML R60 C3

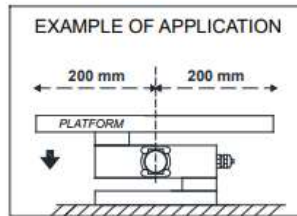
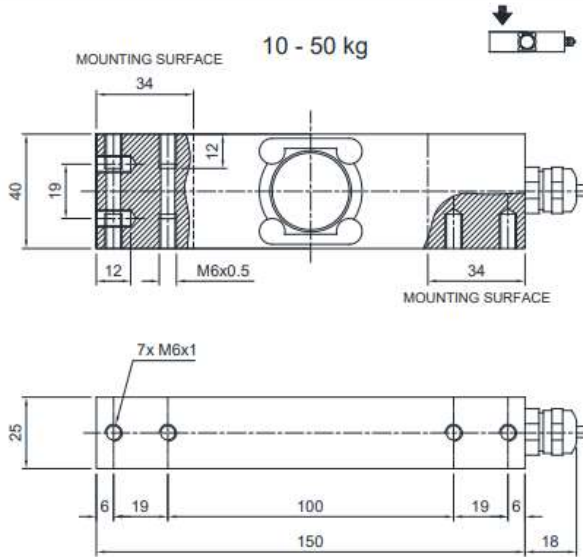
CERTIFICATIONS ON REQUEST



OIML R60 C4

## SINGLE-POINT LOAD CELL for platforms 400x400 mm

### DIMENSIONS (mm)



### TECHNICAL FEATURES

Material	17-4 PH Stainless steel		
OIML R60 Accuracy class • Verification intervals	C3 • 3000	C4 • 4000	
Nominal load (E max)	10-20-50-100-200-300-500	10 - 20 - 50 kg	
Minimum verification interval (V min)	E max / 10000	E max / 40000	
Combined error	≤±0.02%	≤±0.017%	
Protection class	IP68		
Rated output	2 mV/V ±10%	Input resistance	350 Ω ±3.5
Temperature effect on zero	0.0017% °C	Output resistance	350 Ω ±3.5
Temperature effect on span	0.0014% °C	Zero balance	±2%
Compensated temperature range	-10 °C / +40 °C	Insulation resistance	>5000 MΩ
Operating temperature range	-35 °C / +65 °C	Safe overload (% of full scale)	150%
Creep at nominal load in 30 minutes	0.02%	Ultimate overload (% of full scale)	300%
Max supply voltage without damage	18 V	Deflection at nominal load	0.5 mm

### ELECTRICAL CONNECTIONS

Cable length	3 m
Cable diameter	5 mm
Cores	4/6 x 0.20 mm <sup>2</sup>

