

SP4

SINGLE-POINT LOAD CELL for platforms 350x350 mm



Manufactured according to OIML R60 standards

Capacity from 6 kg to 50 kg

- AISI 420 STAINLESS STEEL
- COMBINED ERROR $\leq \pm 0.02\%$
- PROTECTION CLASS IP67

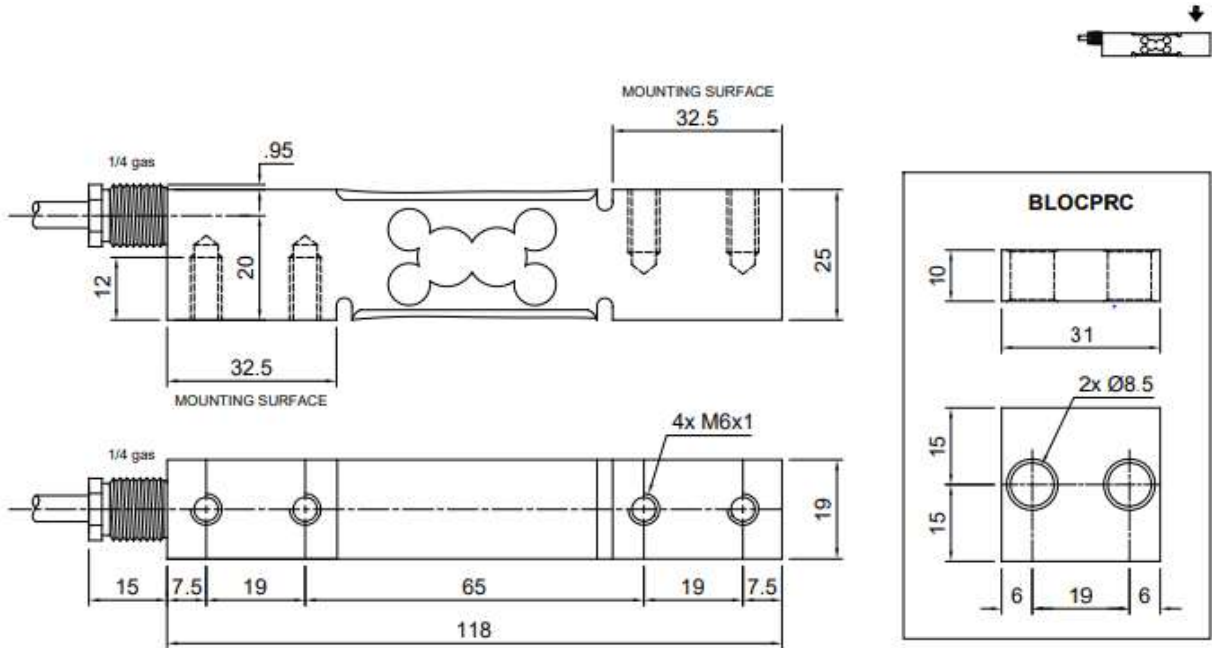


CAPACITY	kg	PLATFORM (mm)	NET WEIGHT (kg)	CODE
	6	350 x 350	0.4	SP4-6
	15	350 x 350	0.4	SP4-15
	30	350 x 350	0.4	SP4-30
	50	350 x 350	0.4	SP4-50

SP4

SINGLE-POINT LOAD CELL for platforms 350x350 mm

DIMENSIONS (mm)



TECHNICAL FEATURES

Material	AISI 420 Stainless steel		
Nominal load (E max)	6 - 15 - 30 - 50 kg		
Combined error	≤±0.02%		
Protection class	IP67		
Rated output	2 mV/V ±10%	Input resistance	380 Ω ±10
Temperature effect on zero	0.002% °C	Output resistance	350 Ω ±5
Temperature effect on span	0.002% °C	Zero balance	±1%
Compensated temperature range	-10 °C / +40 °C	Insulation resistance	>5000 MΩ
Operating temperature range	-20 °C / +60 °C	Safe overload (% of full scale)	150%
Creep at nominal load in 30 minutes	0.02%	Ultimate overload (% of full scale)	300%
Max supply voltage without damage	15 V	Deflection at nominal load	0.3 mm

ELECTRICAL CONNECTIONS

Cable length	3 m
Cable diameter	5 mm
Cores	6 x 0.20 mm ²

