

# SP3

SINGLE-POINT LOAD CELL for platforms 250x350 mm



IP65

Capacity from 3 kg to 50 kg

- ALUMINUM ALLOY
- COMBINED ERROR  $\leq \pm 0.02\%$  (0.017% C4)
- PROTECTION CLASS IP65



CAPACITY	kg	ACCURACY CLASS		PLATFORM (mm)	NET WEIGHT (kg)	CODE
		C3	C4			
3		•	•	250 x 350	0.2	SP3-3
5		•	•	250 x 350	0.2	SP3-5
10		•	•	250 x 350	0.2	SP3-10
15		•	•	250 x 350	0.2	SP3-15
20		•	•	250 x 350	0.2	SP3-20
30		•	•	250 x 350	0.2	SP3-30
50		•	•	250 x 350	0.2	SP3-50

## CERTIFICATIONS



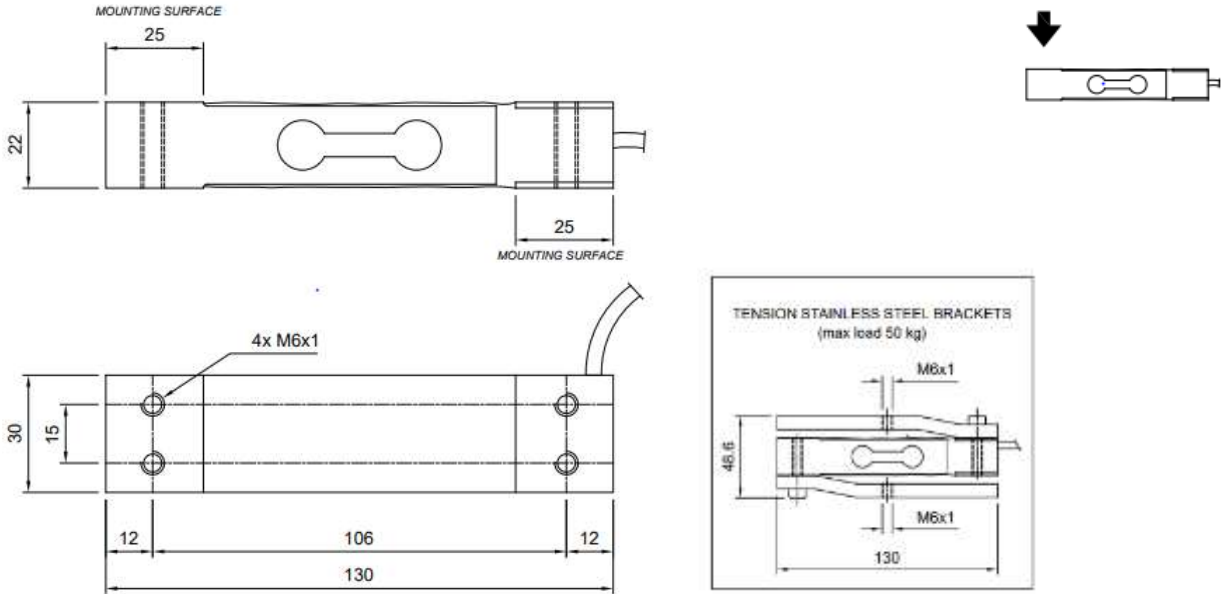
OIML R60 C3

CERTIFICATIONS ON REQUEST



OIML R60 C4

### DIMENSIONS (mm)



### TECHNICAL FEATURES

Material	Aluminum alloy		
OIML R60 Accuracy class • Verification intervals	C3 • 3000		C4 • 4000
Nominal load (E max)	3 - 5 - 10 - 15 - 20 - 30 - 50 kg		
Minimum verification interval (V min)	E max / 10000		E max / 15000
Combined error	≤±0.02%		≤±0.017%
Protection class	IP65		
Rated output	2mV/V ± 10%	Input resistance	409 Ω ± 6
Temperature effect on zero	0.0017% °C	Output resistance	350 Ω ± 3
Temperature effect on span	0.0014% °C	Zero balance	≤ ± 2 %
Compensated temperature range	-10 °C / +40 °C	Insulation resistance	≥5000 MΩ
Operating temperature range	-35 °C / +65 °C	Safe overload (% of full scale)	150%
Creep at nominal load in 30 minutes	0.015%	Ultimate overload (% of full scale)	300%
Max supply voltage without damage	18 V	Deflection at nominal load	0.5 mm

### ELECTRICAL CONNECTIONS

Cable length	3 m
Cable diameter	3.8 mm
Cores	4 x 0.20 mm <sup>2</sup>

