



IP65

Manufactured according to OIML R60 standards

Capacity from 0.25 kg to 1 kg

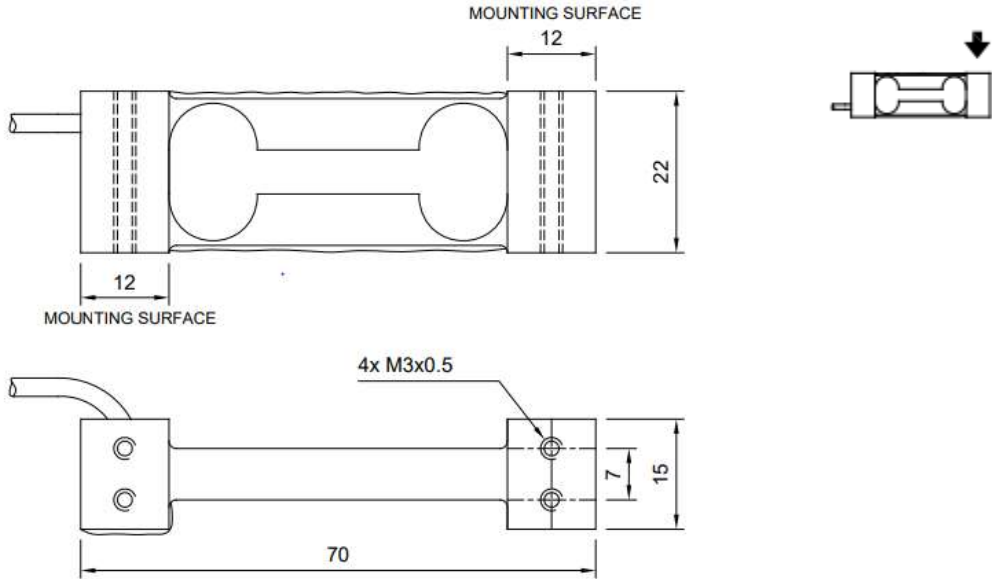
- ALUMINUM ALLOY
- COMBINED ERROR $\leq \pm 0.03\%$
- PROTECTION CLASS IP65



CAPACITY	kg	PLATFORM (mm)	NET WEIGHT (kg)	CODE
	0.25	200 x 200	0.1	SP2-0.25
	0.5	200 x 200	0.1	SP2-0.5
	1	200 x 200	0.1	SP2-1

SINGLE-POINT LOAD CELL for platforms 200x200 mm

DIMENSIONS (mm)



TECHNICAL FEATURES

Material	Aluminum alloy		
Nominal load (E max)	0.25 - 0.50 - 1.00 kg		
Combined error	≤±0.03%		
Protection class	IP65		
Rated output	1 mV/V ±15%	Input resistance	410 Ω ±10
Temperature effect on zero	0.0025% °C	Output resistance	350 Ω ±3
Temperature effect on span	0.0025% °C	Zero balance	±2%
Compensated temperature range	-10 °C / +40 °C	Insulation resistance	>2000 MΩ
Operating temperature range	-20 °C / +60 °C	Safe overload (% of full scale)	200%
Creep at nominal load in 30 minutes	0.03%	Ultimate overload (% of full scale)	400%
Max supply voltage without damage	15 V	Deflection at nominal load	0.3 mm

ELECTRICAL CONNECTIONS

Cable length	3 m
Cable diameter	2.5 mm
Cores	6 x 0.20 mm ²

