

# SP14

SINGLE-POINT LOAD CELL for platforms 800x800 mm

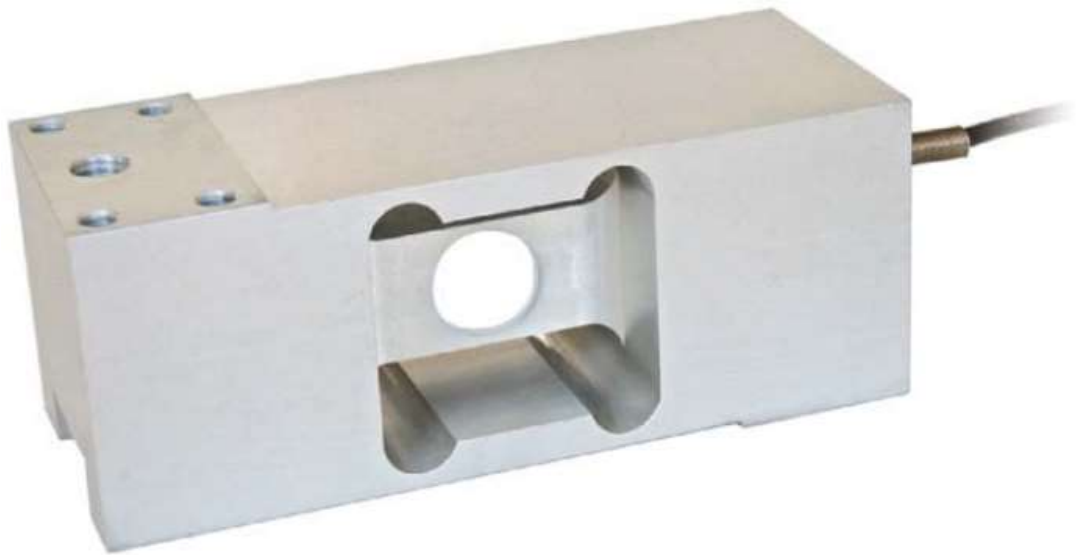


IP65

Manufactured according to OIML R60 standards

Capacity from 500 kg to 1000 kg

- ALUMINUM ALLOY
- COMBINED ERROR  $\leq \pm 0.02\%$
- PROTECTION CLASS IP65

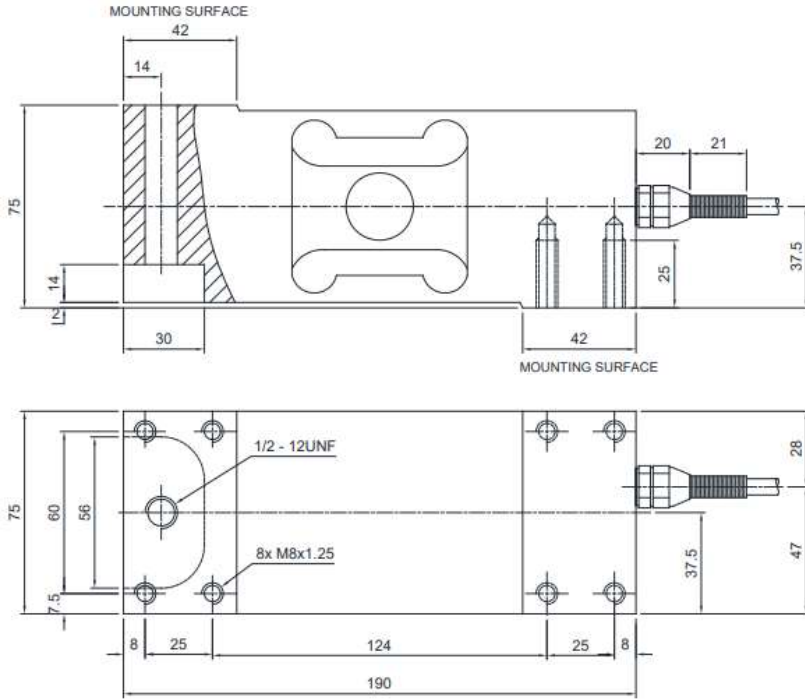


CAPACITY	kg	PLATFORM (mm)	NET WEIGHT (kg)	CODE
500		800 x 800	2.2	SP14-500
1000		800 x 800	2.3	SP14-1000

# SP14

SINGLE-POINT LOAD CELL for platforms 800x800 mm

## DIMENSIONS (mm)



## TECHNICAL FEATURES

Material	Aluminum alloy
Nominal load ( E max)	500 - 1000 kg
Combined error	≤±0.05%
Protection class	IP65

Rated output	2 mV/V ±10%	Input resistance	410 Ω ±40
Temperature effect on zero	0.0025% °C	Output resistance	350 Ω ±3
Temperature effect on span	0.0025% °C	Zero balance	±2%
Compensated temperature range	-10 °C / +40 °C	Insulation resistance	>2000 MΩ
Operating temperature range	-20 °C / +60 °C	Safe overload (% of full scale)	120%
Creep at nominal load in 30 minutes	0.03%	Ultimate overload (% of full scale)	200%
Max supply voltage without damage	15 V	Deflection at nominal load	0.5 mm

## ELECTRICAL CONNECTIONS

Cable length	3 m
Cable diameter	5 mm
Cores	4/6 x 0.20 mm <sup>2</sup>

