

SP10

VEIDA
SMART WEIGHING

SINGLE-POINT LOAD CELL for platforms 400x400 mm

Manufactured according to OIML R60 standards

Capacity from 30 kg to 150 kg



IP67

- AISI 420 STAINLESS STEEL
- COMBINED ERROR $\leq \pm 0.02\%$
- PROTECTION CLASS IP67

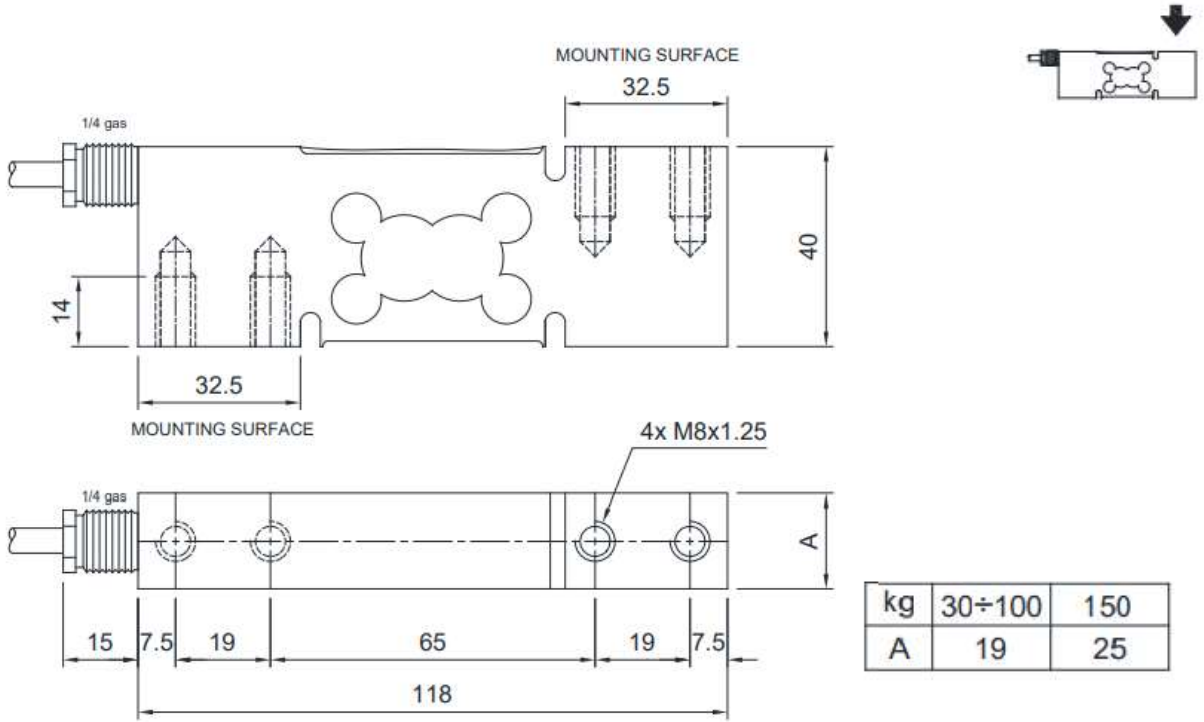


CAPACITY	kg	PLATFORM (mm)	NET WEIGHT (kg)	CODE
	30	400 x 400	0.75	SP10-30
	50	400 x 400	0.75	SP10-50
	75	400 x 400	0.75	SP10-75
	100	400 x 400	0.75	SP10-100
	150	400 x 400	0.75	SP10-150

SP10

SINGLE-POINT LOAD CELL for platforms 400x400 mm

DIMENSIONS (mm)



TECHNICAL FEATURES

Material	AISI 420 Stainless steel		
Nominal load (E max)	30 - 50 - 75 - 100 – 150 kg		
Combined error	≤±0.02%		
Protection class	IP67		
Rated output	2 mV/V ±10%	Input resistance	385 Ω ±30
Temperature effect on zero	0.002% °C	Output resistance	350 Ω ±5
Temperature effect on span	0.002% °C	Zero balance	±1%
Compensated temperature range	-10 °C / +40 °C	Insulation resistance	>5000 MΩ
Operating temperature range	-20 °C / +60 °C	Safe overload (% of full scale)	150%
Creep at nominal load in 30 minutes	0.02%	Ultimate overload (% of full scale)	300%
Max supply voltage without damage	15 V	Deflection at nominal load	0.3 mm

ELECTRICAL CONNECTIONS

Cable length	3 m
Cable diameter	4 mm
Cores	6 x 0.20 mm ²

