

SP1

SINGLE-POINT LOAD CELL for platforms 150x150 mm

Manufactured according to OIML R60 standards

Capacity from 5 kg to 50 kg



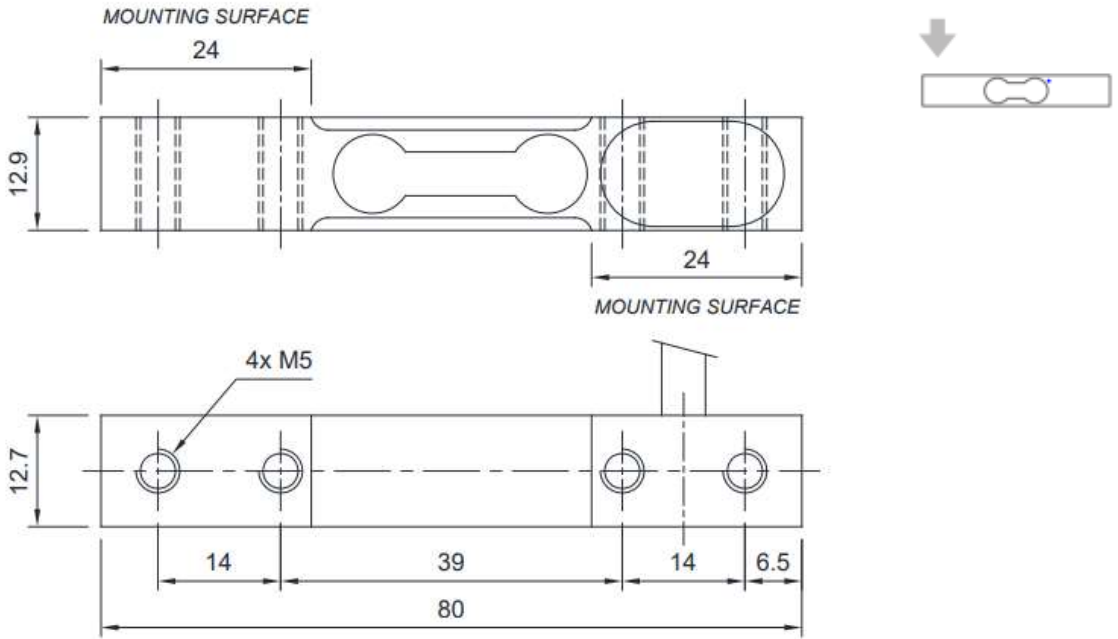
IP65

- AISI 420 STAINLESS STEEL
- COMBINED ERROR $\leq \pm 0.05\%$
- PROTECTION CLASS IP65



CAPACITY	kg	PLATFORM (mm)	NET WEIGHT (kg)	CODE
	5	150 x 150	0.13	SP1-5
	15	150 x 150	0.13	SP1-15
	50	150 x 150	0.13	SP1-50

DIMENSIONS (mm)



TECHNICAL FEATURES

Material	AISI 420 Stainless steel		
Nominal load (E max)	5 – 15 – 50 kg		
Combined error	$\leq \pm 0.05\%$		
Protection class	IP65		
Rated output	3 mV/V $\pm 10\%$	Input resistance	410 $\Omega \pm 40$
Temperature effect on zero	0.005% $^{\circ}\text{C}$	Output resistance	350 $\Omega \pm 5$
Temperature effect on span	0.005% $^{\circ}\text{C}$	Zero balance	0-4%
Compensated temperature range	-10 $^{\circ}\text{C}$ / +40 $^{\circ}\text{C}$	Insulation resistance	>2000 M Ω
Operating temperature range	-20 $^{\circ}\text{C}$ / +60 $^{\circ}\text{C}$	Safe overload (% of full scale)	150%
Creep at nominal load in 30 minutes	0.05%	Ultimate overload (% of full scale)	200%
Max supply voltage without damage	10 V	Deflection at nominal load	0.5 mm

ELECTRICAL CONNECTIONS

Cable length	3 m
Cable diameter	4 mm
Cores	6 x 0.20 mm ²

