

SB4

SHEAR BEAM LOAD CELLS



IP67

Capacity from 500 kg to 5000 kg

- SPECIAL STEEL
- COMBINED ERROR $\leq \pm 0.02\%$ (0.017% C4)
- PROTECTION CLASS IP67



CAPACITY	kg	ACCURACY CLASS		NET WEIGHT (kg)	CODE
		C3	C4		
500		•	•	0.8	SB4-500
1000		•	•	0.8	SB4-1000
1500		•	•	0.9	SB4-1500
2000		•	•	0.9	SB4-2000
3000		•	•	1.7	SB4-3000
5000		•	•	1.7	SB4-5000

CERTIFICATIONS



OIML R60 C3

CERTIFICATIONS ON REQUEST

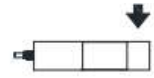
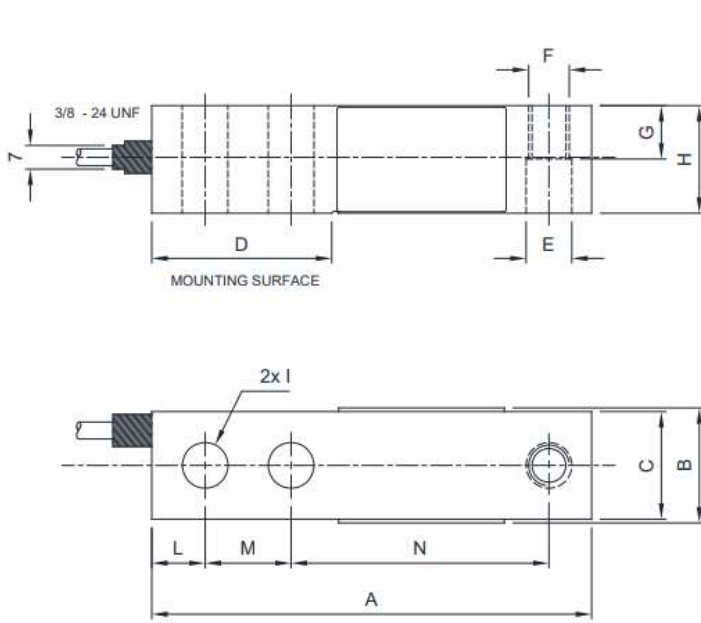


OIML R60 C4

SB4

SHEAR BEAM LOAD CELLS

DIMENSIONS (mm)



	500 kg	1000 - 1500 2000 kg	3000 - 5000 kg
A	130	130	171.5
B	-	32.8	39.1
C	31.8	31.8	38.1
D	53.2	53.2	76.2
E	Ø13.5	Ø13.5	Ø19.8
F	M12x1.75	M12x1.75	M18x1.5
G	16	16	19.3
H	31.8	31.8	38.1
I	Ø13.5	Ø13.5	Ø19.8
L	15.8	15.8	19.1
M	25.4	25.4	38.1
N	76.2	76.2	95.3

TECHNICAL FEATURES

Material	Special steel	
OIML R60 Accuracy class • Verification intervals	C3 • 3000	C4 • 4000
Nominal load (E max)	500 - 1000 - 1500 kg 2000 - 3000 - 5000 kg	
Minimum verification interval (V min)	E max / 10000	E max / 15000
Combined error	≤±0.02%	≤±0.017%
Protection class	IP67	

Rated output	3 mV/V ±0.1%	Input resistance	350 Ω ±3.5
Temperature effect on zero	0.0018% °C	Output resistance	350 Ω ±3.5
Temperature effect on span	0.0014% °C	Zero balance	≤±1%
Compensated temperature range	-10 °C / +40 °C	Insulation resistance	≥5000 MΩ
Operating temperature range	-35 °C / +65 °C	Safe overload (% of full scale)	150%
Creep at nominal load in 30 minutes	0.02%	Ultimate overload (% of full scale)	300%
Max supply voltage without damage	18V	Deflection at nominal load	0.4 mm

ELECTRICAL CONNECTIONS

Cable length	4 m (500-2000 kg); 6 m (3000-5000 kg)
Cable diameter	5 mm
Cores	4/6 x 0.20 mm ²

