

BENDING BEAM LOAD CELL



IP68

Capacity from 50 kg to 300 kg

- 17-4 PH STAINLESS STEEL
- COMBINED ERROR $\leq \pm 0.017\%$
- PROTECTION CLASS IP68



CAPACITY	kg	ACCURACY CLASS C3	NET WEIGHT (kg)	CODE
	50	•	0.5	BB4-50
	75	•	0.5	BB4-75
	150	•	0.5	BB4-150
	300	•	0.5	BB4-300

CERTIFICATIONS

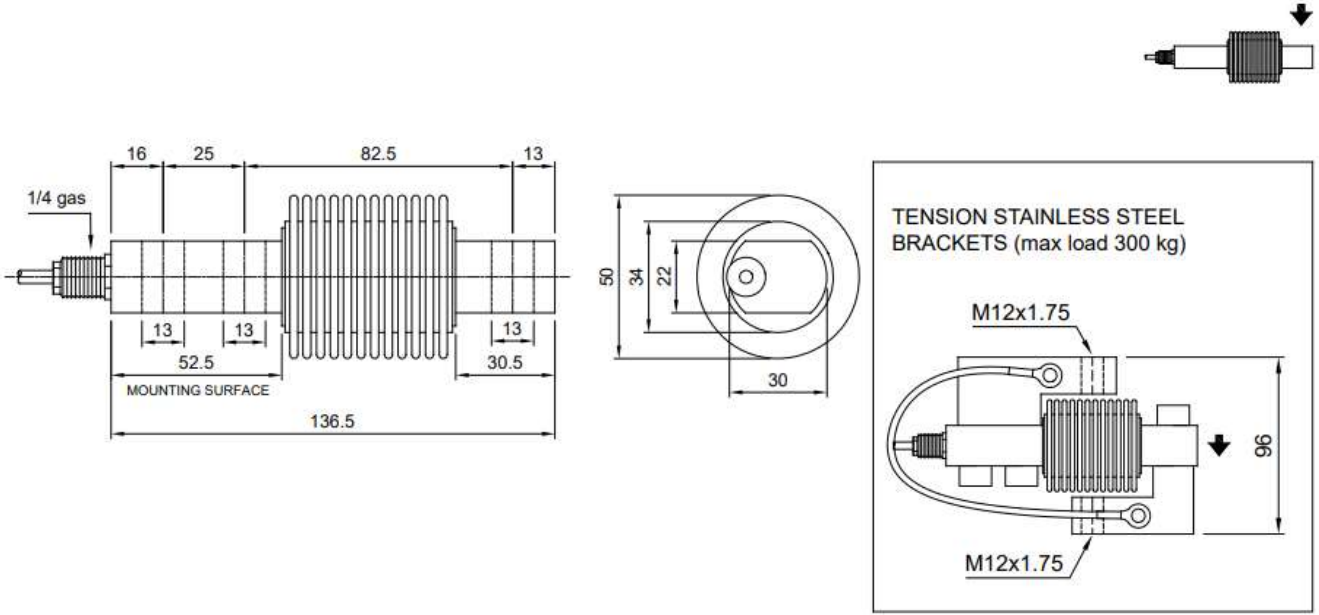


OIML R60 C3

BB4

BENDING BEAM LOAD CELL

DIMENSIONS (mm)



TECHNICAL FEATURES

Material	17-4 PH stainless steel
OIML R60 Accuracy class • Verification intervals	C3 • 3000
Nominal load (E max)	50 - 75 -150 - 300 kg
Minimum verification interval (V min)	E max / 10000
Combined error	≤±0.017%
Protection class	IP68

Rated output	2mV/V ± 0.1%	Input resistance	400 Ω ±20
Temperature effect on zero	0.002% °C	Output resistance	350 Ω ±3
Temperature effect on span	0.0012% °C	Zero balance	≤ ±2 %
Compensated temperature range	-10 °C / +40 °C	Insulation resistance	≥5000 MΩ
Operating temperature range	-20 °C / +50 °C	Safe overload (% of full scale)	200%
Creep at nominal load in 30 minutes	0.016%	Ultimate overload (% of full scale)	200%
Max supply voltage without damage	15 V	Deflection at nominal load	0.4 mm

ELECTRICAL CONNECTIONS

Cable length	3 m
Cable diameter	4 mm
Cores	4 x 0.22 mm ²

