

BENDING BEAM & SHEAR BEAM LOAD CELL



IP68

Manufactured according to OIML R60 standards

BENDING BEAM: capacity from 30 kg to 500 kg

SHEAR BEAM: capacity from 750 kg to 1500 kg

- AISI 420 STAINLESS STEEL
- COMBINED ERROR $\leq \pm 0.02\%$
- PROTECTION CLASS IP68

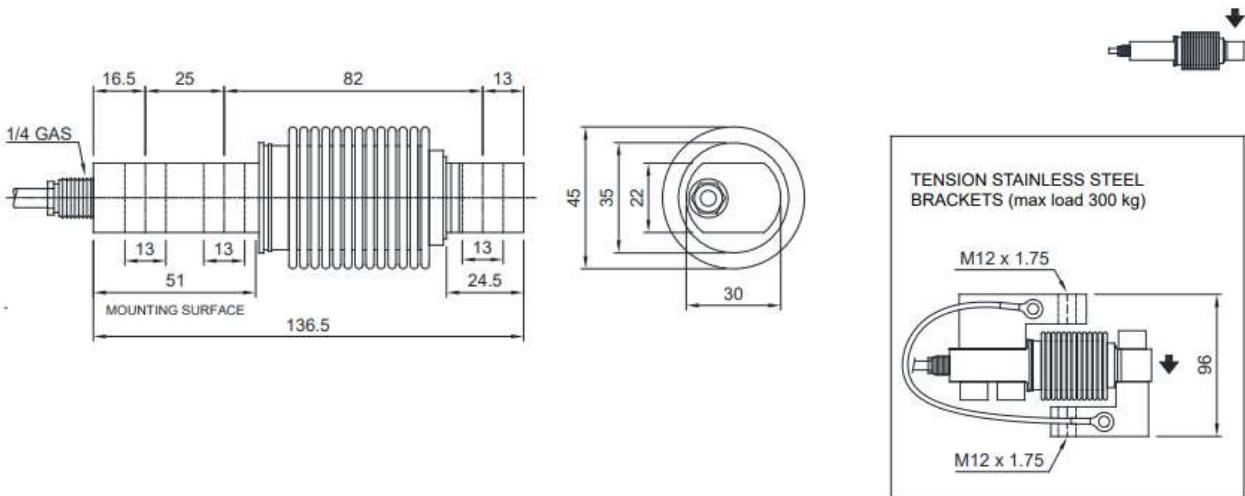


CAPACITY	kg	NET WEIGHT (kg)	CODE
	30	0.6	BB3-30
	50	0.6	BB3-50
	75	0.6	BB3-75
	150	0.6	BB3-150
	300	0.7	BB3-300
	500	0.7	BB3-500
	750	0.7	BB3-750
	1000	0.7	BB3-1000
	1500	0.7	BB3-1500

BB3

BENDING BEAM & SHEAR BEAM LOAD CELL

DIMENSIONS (mm)



TECHNICAL FEATURES

Material	AISI 420 Stainless steel		
Nominal load (E max)	30 - 50 - 75 - 150 - 300 - 500 - 750 - 1000 - 1500 kg		
Combined error	≤±0.02%		
Protection class	IP68		
Rated output	2 mV/V ±0.4%	Input resistance	350 Ω ±5 *
Temperature effect on zero	0.002% °C	Output resistance	350 Ω ±5
Temperature effect on span	0.002% °C	Zero balance	±1%
Compensated temperature range	-10 °C / +40 °C	Insulation resistance	>5000 MΩ
Operating temperature range	-20 °C / +50 °C	Safe overload (% of full scale)	150%
Creep at nominal load in 30 minutes	0.02%	Ultimate overload (% of full scale)	300%
Max supply voltage without damage	15 V	Deflection at nominal load	0.4 mm

*Input resistance for 30, 50, 75, 150, 300 kg capacities: 400 Ω ±20

ELECTRICAL CONNECTIONS

Cable length	5 m
Cable diameter	5 mm
Cores	6 x 0.22 mm ²

