

BB2

BENDING BEAM LOAD CELL



IP68



Capacity from 20 kg to 500 kg



- 17-4 PH STAINLESS STEEL
- COMBINED ERROR $\leq \pm 0.02\%$ (0.017% C4) - -
- PROTECTION CLASS IP68

CAPACITY	kg	ACCURACY CLASS		NET WEIGHT OF LOAD CELL (kg)	CODE
		C3	C4		
20		•	•	0.4	BB2-20
50		•	•	0.4	BB2-50
100		•	•	0.4	BB2-100
200		•	•	0.4	BB2-200
350		•	•	0.4	BB2-350
500		•	•	0.4	BB2-500

CERTIFICATIONS



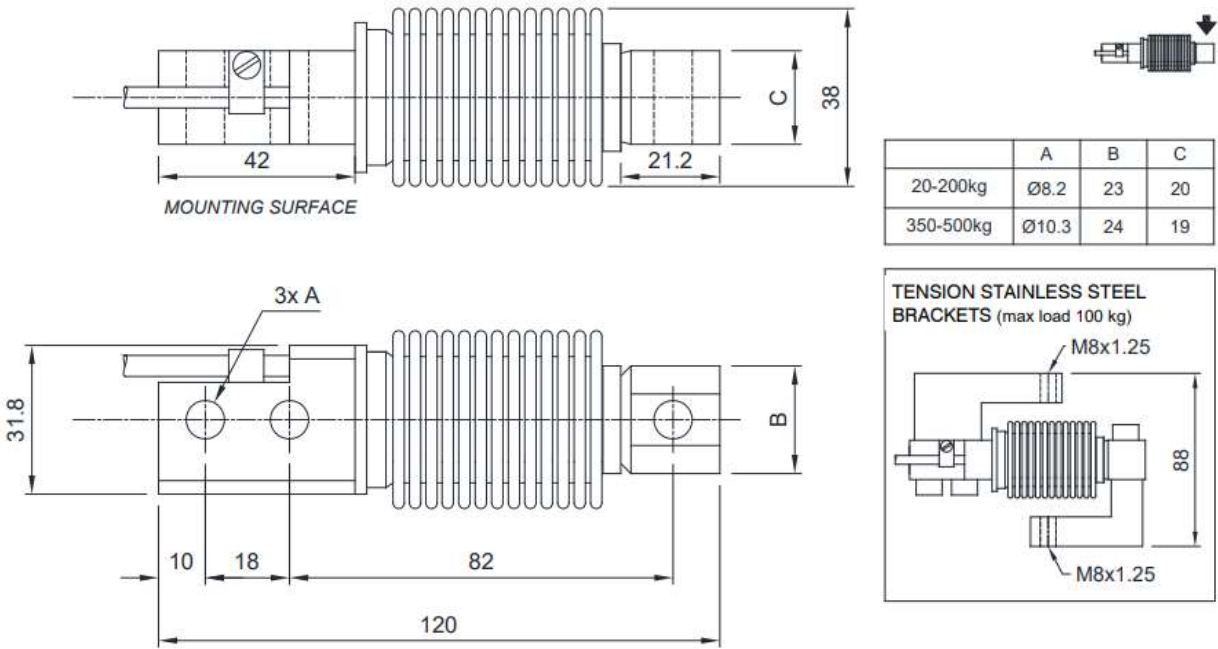
OIML R60 C3

CERTIFICATIONS ON REQUEST



OIML R60 C4

DIMENSIONS (mm)



TECHNICAL FEATURES

Material	17-4 PH stainless steel		
OIML R60 Accuracy class • Verification intervals	C3 • 3000	C4 • 4000	
Nominal load (E max)	20 - 50 - 100 - 200 - 350 - 500 kg		
Minimum verification interval (V min)	E max / 10000	E max / 15000	
Combined error	≤±0.02%	≤±0.017%	
Protection class	IP68		
Rated output	2mV/V ± 1%	Input resistance	460 Ω ±50
Temperature effect on zero	0.002% °C	Output resistance	350 Ω ±3.5
Temperature effect on span	0.0014% °C	Zero balance	≤ ±1 %
Compensated temperature range	-10 °C / +40 °C	Insulation resistance	≥5000 MΩ
Operating temperature range	-35 °C / +65 °C	Safe overload (% of full scale)	150%
Creep at nominal load in 30 minutes	0.02%	Ultimate overload (% of full scale)	300%
Max supply voltage without damage	18 V	Deflection at nominal load	0.4 mm

ELECTRICAL CONNECTIONS

Cable length	3 m
Cable diameter	5 mm
Cores	4 x 0.22mm ²

