

# Z3

# VEIDA

SMART WEIGHING

## TENSION (COMPRESSION) LOAD CELL



Manufactured according to OIML R60 standards

### Capacity from 50 kg to 300 kg

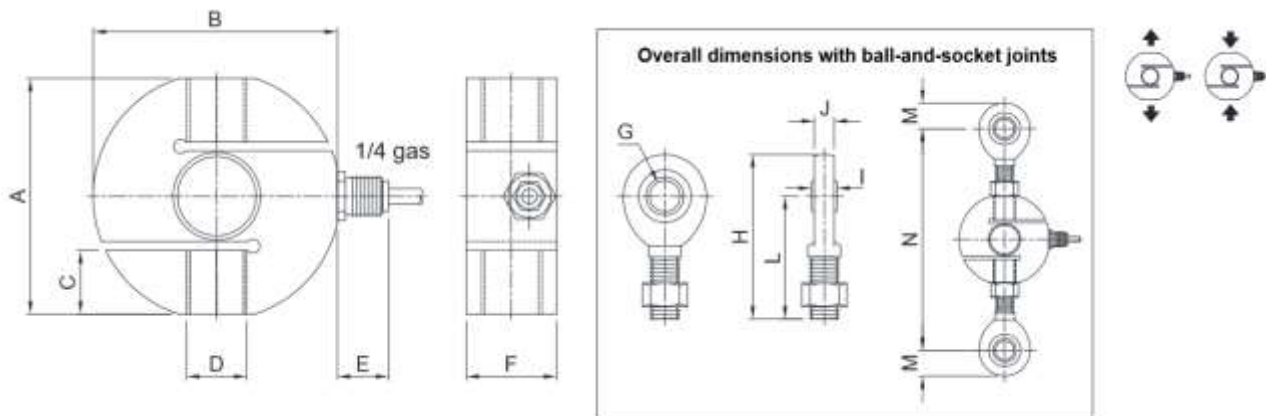
- AISI 420 STAINLESS STEEL
- COMBINED ERROR  $\leq \pm 0.03\%$
- PROTECTION CLASS IP67



CAPACITY	kg	NET WEIGHT (kg)	CODE
	50	0.7	Z3-50
	100	0.7	Z3-100
	200	0.7	Z3-200
	300	0.7	Z3-300

## TENSION (COMPRESSION) LOAD CELL

### DIMENSIONS (mm)



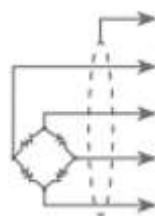
	A	B	C	D	E	F	G	H	I	J	L	M	N (=)
50 kg 500 kg	59.5	63.5	14.5	M12x1.75	17	22	Ø12	71	10	8.5	54.5	16.5	140
1000 kg	78	82	21	M16x2	17	30	Ø17	92	14	11.5	69.5	22.5	176
2500 kg	78	82	21	M20x1.5	17	30	Ø20	104.5	16	13.5	77.5	27	191
5000 kg	90	102	24	M24x2	17	45	Ø25	126	20	17.5	94.5	31.5	230

### TECHNICAL FEATURES

Material	AISI 420 stainless steel		
Nominal load ( E max)	50 - 100 - 200 - 300 kg		
Combined error	≤±0.03%		
Protection class	IP67		
Rated output	2mV/V ± 0.4%	Input resistance	385 Ω ±30
Temperature effect on zero	0.0025% °C	Output resistance	350 Ω ±10
Temperature effect on span	0.0025% °C	Zero balance	±2 %
Compensated temperature range	-10 °C / +40 °C	Insulation resistance	>2000 MΩ
Operating temperature range	-20 °C / +60 °C	Safe overload (% of full scale)	150%
Creep at nominal load in 30 minutes	0.03%	Ultimate overload (% of full scale)	250%
Max supply voltage without damage	15 V	Deflection at nominal load	0.4 mm

### ELECTRICAL CONNECTIONS

Cable length	10 m
Cable diameter	6 mm
Cores	6 x 0.20 mm <sup>2</sup>



SHIELD	
+ SIGNAL	GREEN
+ EXCITATION	RED
+ REF./SENSE	BLUE
- SIGNAL	WHITE
- EXCITATION	BLACK
- REF./SENSE	YELLOW