

TENSION (COMPRESSION) LOAD CELL



Capacity from 25 kg to 2500 kg

- SPECIAL STEEL
- COMBINED ERROR $\leq \pm 0.02\%$ (0.017% C4)
- PROTECTION CLASS IP67



CAPACITY	kg	ACCURACY CLASS		NET WEIGHT (kg)	CODE
		C3	C4		
	25	-	-	0.4	Z2-25
	100	•	•	0.6	Z2-100
	200	•	•	0.6	Z2-200
	300	•	•	0.6	Z2-300
	500	•	•	0.7	Z2-500
	1000	•	•	0.9	Z2-1000
	2500	•	•	1.6	Z2-2500

CERTIFICATIONS



OIML R60 C3

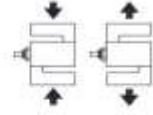
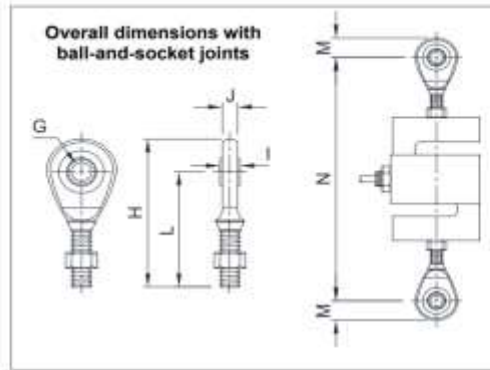
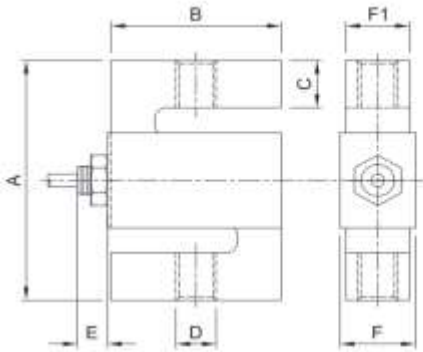
CERTIFICATIONS ON REQUEST



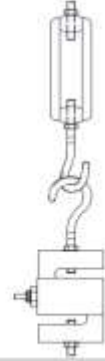
OIML R60 C4

TENSION (COMPRESSION) LOAD CELL

DIMENSIONS (mm)



Example of application on the tension bar mechanical scale



	A	B	C	D	E	F	F1	G	H	I	J	L	M	N (≈)
25 kg	76.2	50.8	15.7	M8x1.25	10	14.5	12.7	Ø8	54	8	6.5	42.5	11.5	129
100 kg	76.2	50.8	15.3	M10x1.5	9	22.4	19	Ø10	62.5	9	7.5	48.5	14	142
200 kg					8									
300 kg	76.2	50.8	14.4	M12x1.75	9	22.4	19	Ø12	71	10	8.5	54.5	16.5	154
500 kg					9									
1000 kg	76.2	50.8	12.5	M12x1.75	10	28.9	25.4	Ø12	71	10	8.5	54.5	16.5	159
2500 kg	101.6	76.2	20	M20x1.5	6	28.9	25.4	Ø20	104.5	16	13.5	77.5	27	217

TECHNICAL FEATURES

Material	Special steel		
OIML R60 Accuracy class • Verification intervals	-	C3 • 3000	C4 • 4000
Nominal load (E max)	25 kg	100 - 200 - 300 kg 500 - 1000 - 2500 kg	100 - 200 - 300 kg 500 - 1000 - 2500 kg
Minimum verification interval (V min)	-	E max / 10000 E max / 15000	E max / 20000
Combined error	≤±0.02%	≤±0.02%	≤±0.017%
Protection class	IP67		

Rated output	2 mV/V ±0.2%	Input resistance	350 Ω ±3.5
Temperature effect on zero	0.0015% °C	Output resistance	350 Ω ±3.5
Temperature effect on span	0.0017% °C	Zero balance	±1%
Compensated temperature range	-10 °C / +40 °C	Insulation resistance	>5000 MΩ
Operating temperature range	-35 °C / +65 °C	Safe overload (% of full scale)	150%
Creep at nominal load in 30 minutes	0.03%	Ultimate overload (% of full scale)	300%
Max supply voltage without damage	18 V	Deflection at nominal load	0.4 mm

ELECTRICAL CONNECTIONS

Cable length	5 m (25 - 300 kg); 10 m (500 - 2500 kg)
Cable diameter	5 mm
Cores	4 x 0.24 mm ²

