

SB7

SHEAR BEAM LOAD CELL



Capacity from 500 kg to 2000 kg

- 17-4 PH STAINLESS STEEL
- COMBINED ERROR $\leq \pm 0.02\%$
- PROTECTION CLASS IP68



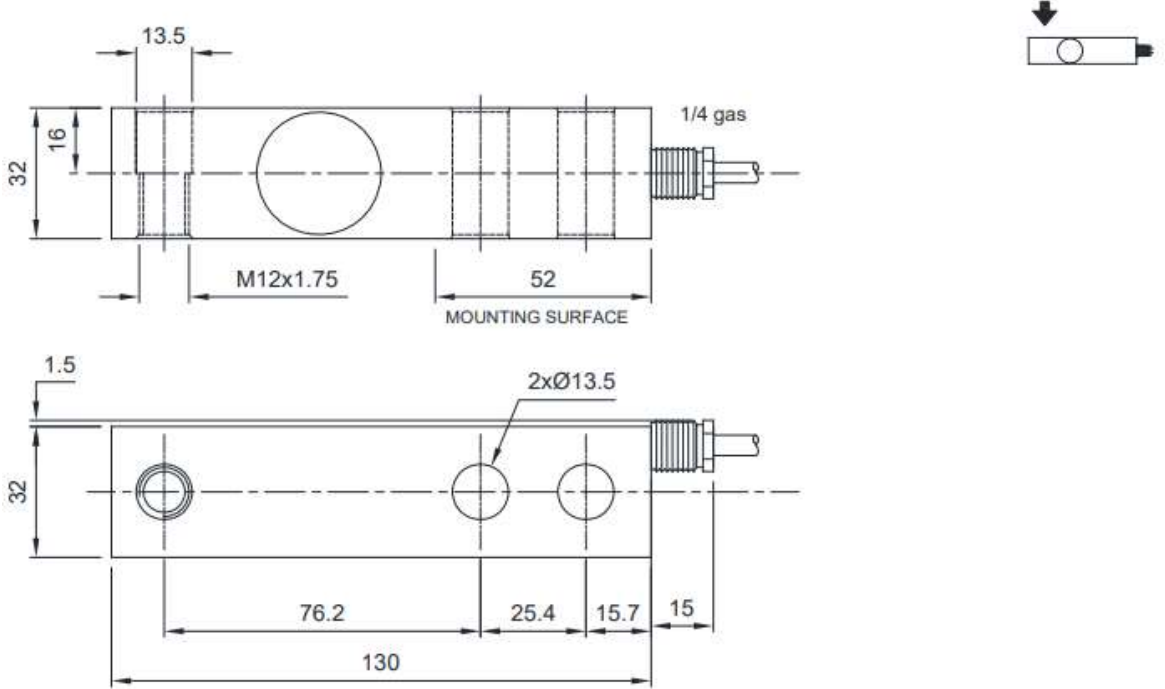
CAPACITY	kg	ACCURACY CLASS C3	NET WEIGHT	CODE
	500	•	0.9	SB7-500
	1000	•	0.9	SB7-1000
	2000	•	0.9	SB7-2000

CERTIFICATIONS



OIML R60 C3

DIMENSIONS (mm)



TECHNICAL FEATURES

Material	17-4 PH stainless steel
OIML R60 Accuracy class • Verification intervals	C3 • 3000
Nominal load (E max)	500 - 1000 - 2000 kg
Minimum verification interval (V min)	E max / 10000
Combined error	≤±0.02%
Protection class	IP68

Rated output	2.0 mV/V ±0.4%	Input resistance	385 Ω ±10
Temperature effect on zero	0.002% °C	Output resistance	350 Ω ±3
Temperature effect on span	0.0012% °C	Zero balance	±2%
Compensated temperature range	-10 °C / +40 °C	Insulation resistance	>5000 MΩ
Operating temperature range	-20 °C / +70 °C	Safe overload (% of full scale)	150%
Creep at nominal load in 30 minutes	0.016%	Ultimate overload (% of full scale)	200%
Max supply voltage without damage	15 V	Deflection at nominal load	0.4 mm

ELECTRICAL CONNECTIONS

Cable length	5 m
Cable diameter	5 mm
Cores	6 x 0.25 mm ²

