

# SB2

## SHEAR BEAM LOAD CELL



Capacity from 300 kg to 2000 kg

- 17-4 PH STAINLESS STEEL
- COMBINED ERROR  $\leq \pm 0.017\%$
- PROTECTION CLASS IP68



CAPACITY	kg	ACCURACY CLASS	NET WEIGHT (kg)	CODE
	300	C3	0.9	SB2-300
	500	•	0.9	SB2-500
	1000	•	0.9	SB2-1000
	1000	•	0.9	SB2-2000

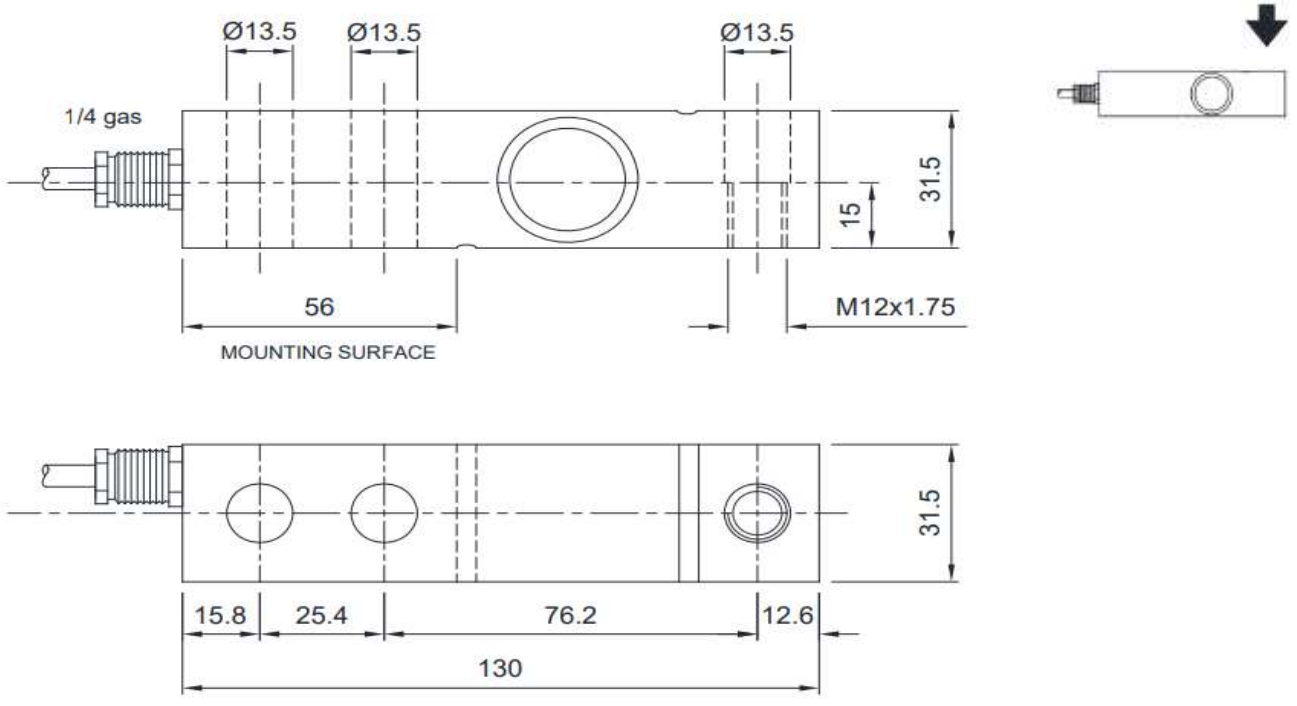
### CERTIFICATIONS



OIML R60 C3

## SHEAR BEAM LOAD CELL

### DIMENSIONS (mm)



### TECHNICAL FEATURES

Material	17-4 PH stainless steel		
OIML R60 Accuracy class • Verification intervals	C3 • 3000		
Nominal load ( E max)	300 - 500 – 1000 - 2000 kg		
Minimum verification interval (V min)	E max / 10000		
Combined error	≤±0.017%		
Protection class	IP68		
Rated output	2 mV/V ±0.1% *	Input resistance	400 Ω ±20
Temperature effect on zero	0.002% °C	Output resistance	350 Ω ±3
Temperature effect on span	0.0012% °C	Zero balance	±2%
Compensated temperature range	-10 °C / +40 °C	Insulation resistance	>5000 MΩ
Operating temperature range	-20 °C / +70 °C	Safe overload (% of full scale)	150%
Creep at nominal load in 30 minutes	0.016%	Ultimate overload (% of full scale)	200%
Max supply voltage without damage	15 V	Deflection at nominal load	0.4 mm

\* Calibrated current output

### ELECTRICAL CONNECTIONS

Cable length	5.8 m
Cable diameter	6 mm
Cores	6 x 0.22 mm <sup>2</sup>

