

MA5

COMPRESSION LOAD CELL – LOW PROFILE



IP68

Manufactured according to OIML R60 standards

Capacity from 200000 kg to 750000 kg

- 17-4 PH STAINLESS STEEL
- COMBINED ERROR $\leq \pm 0.10\%$
- PROTECTION CLASS IP68

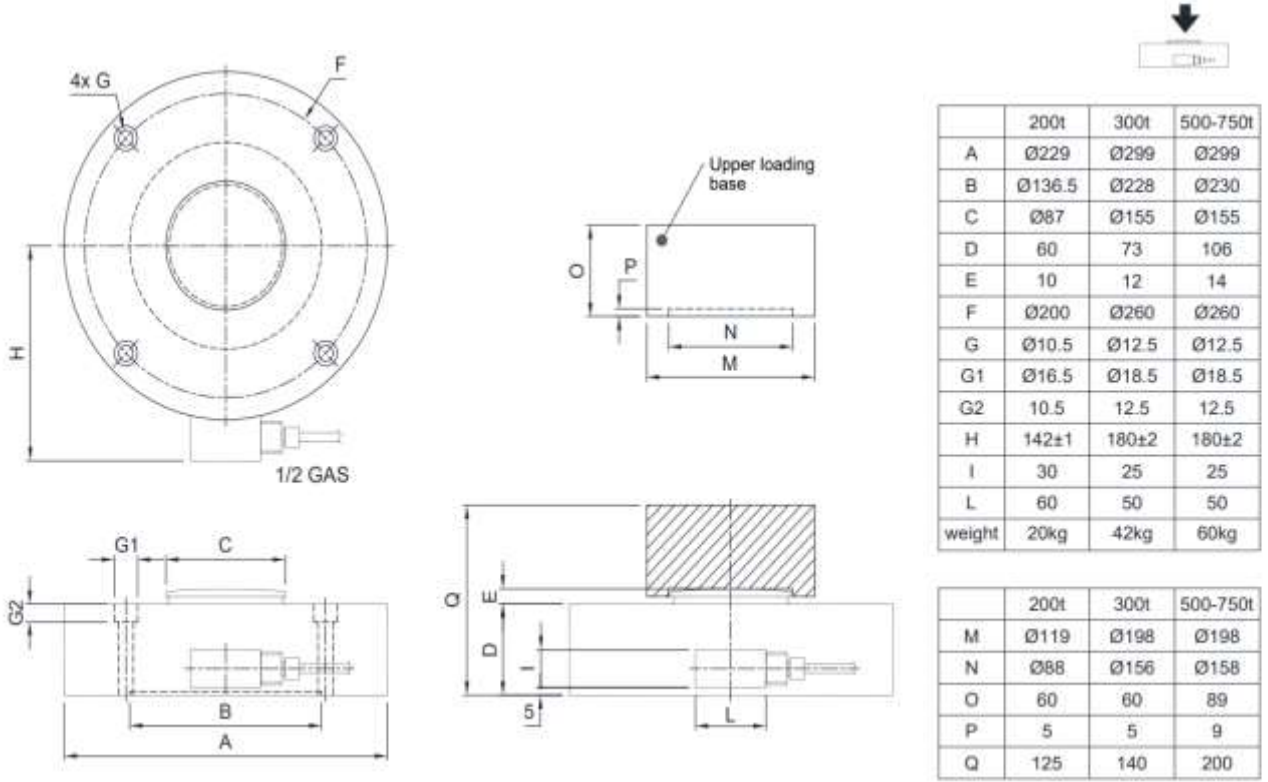


CAPACITY	kg	NET WEIGHT (kg)	CODE
	200000	20	MA5-200000
	300000	42	MA5-300000
	500000	60	MA5-500000
	750000	60	MA5-750000

MA5

COMPRESSION LOAD CELL – LOW PROFILE

DIMENSIONS (mm)

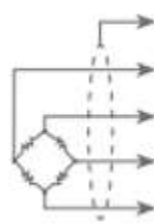


TECHNICAL FEATURES

Material	17-4 PH stainless steel		
Nominal load (E max)	200000 - 300000 - 500000 - 750000 kg		
Combined error	≤±0.10%		
Protection class	IP68		
Rated output	2 mV/V ±0.1%	Input resistance	700 Ω ±20
Temperature effect on zero	0.005% °C	Output resistance	700 Ω ±5
Temperature effect on span	0.005% °C	Zero balance	±1%
Compensated temperature range	-10 °C / +50 °C	Insulation resistance	>5000 MΩ
Operating temperature range	-20 °C / +70 °C	Safe overload (% of full scale)	150%
Creep at nominal load in 30 minutes	0.3%	Ultimate overload (% of full scale)	300%
Max supply voltage without damage	15 V	Deflection at nominal load	0.4 mm

ELECTRICAL CONNECTIONS

Cable length	10 m
Cable diameter	5 mm
Cores	6 x 0.14 mm ²



SHIELD	
+ SIGNAL	GREEN
+ EXCITATION	RED
+ REF./SENSE	BLUE
- SIGNAL	WHITE
- EXCITATION	BLACK
- REF./SENSE	BROWN