



IP68

Manufactured according to OIML R60 standards

Capacity from 1000 kg to 5000 kg

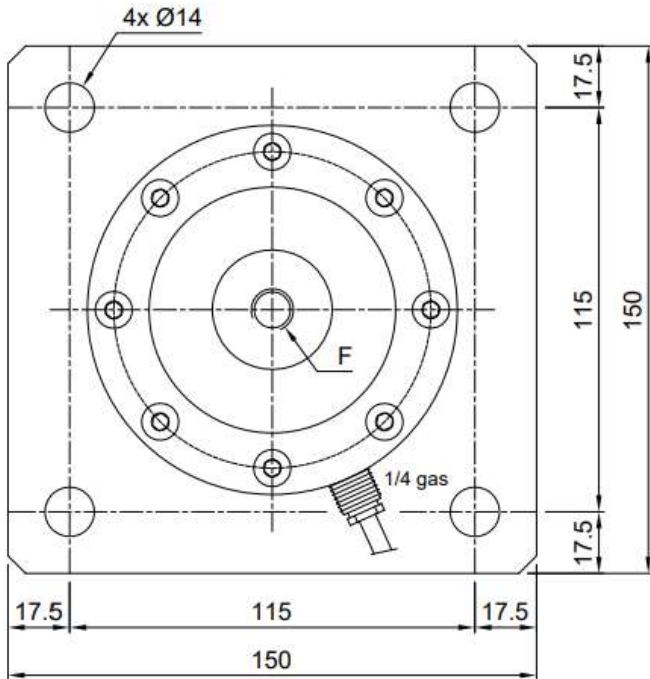
- AISI 420 STAINLESS STEEL
- COMBINED ERROR $\leq \pm 0.03\%$
- PROTECTION CLASS IP68
- INTEGRATED STAINLESS STEEL LOWER PLATE



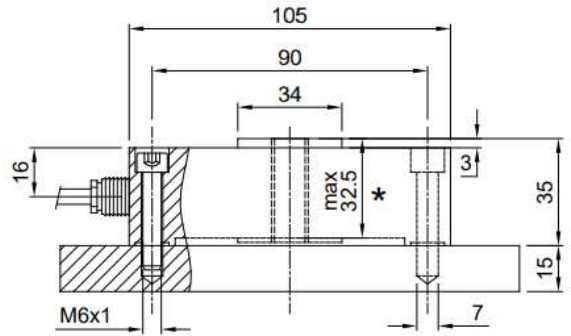
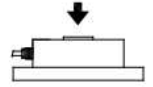
CAPACITY	kg	NET WEIGHT (kg)	CODE
	1000	4.1	MA2-1000
	2000	4.1	MA2-2000
	5000	4.1	MA2-5000

COMPRESSION LOAD CELL – LOW PROFILE

DIMENSIONS (mm)



	F
kg 1000	M12 x 1.75
kg 2000	M12 x 1.75
kg 5000	M20 x 2.5



* WARNING! Max dimension to insert the bolt to allow the cell to perform properly

TECHNICAL FEATURES

Material	AISI 420 stainless steel
Nominal load (E max)	1000 - 2000 - 5000 kg
Combined error	≤±0.03%
Protection class	IP68

Rated output	2 mV/V ±0.4%	Input resistance	385 Ω ±10
Temperature effect on zero	0.002% °C	Output resistance	350 Ω ±3
Temperature effect on span	0.012% °C	Zero balance	±1%
Compensated temperature range	-10 °C / +50 °C	Insulation resistance	>5000 MΩ
Operating temperature range	-20 °C / +70 °C	Safe overload (% of full scale)	150%
Creep at nominal load in 30 minutes	0.2%	Ultimate overload (% of full scale)	250%
Max supply voltage without damage	15 V	Deflection at nominal load	0.3 mm

ELECTRICAL CONNECTIONS

Cable length	10 m
Cable diameter	6 mm
Cores	6 x 0.25 mm ²

