

MA1

COMPRESSION LOAD CELL – LOW PROFILE



IP67

Manufactured according to OIML R60 standards

- 17-4 PH STAINLESS STEEL
- COMBINED ERROR $\leq \pm 0.5\%$
- PROTECTION CLASS IP67

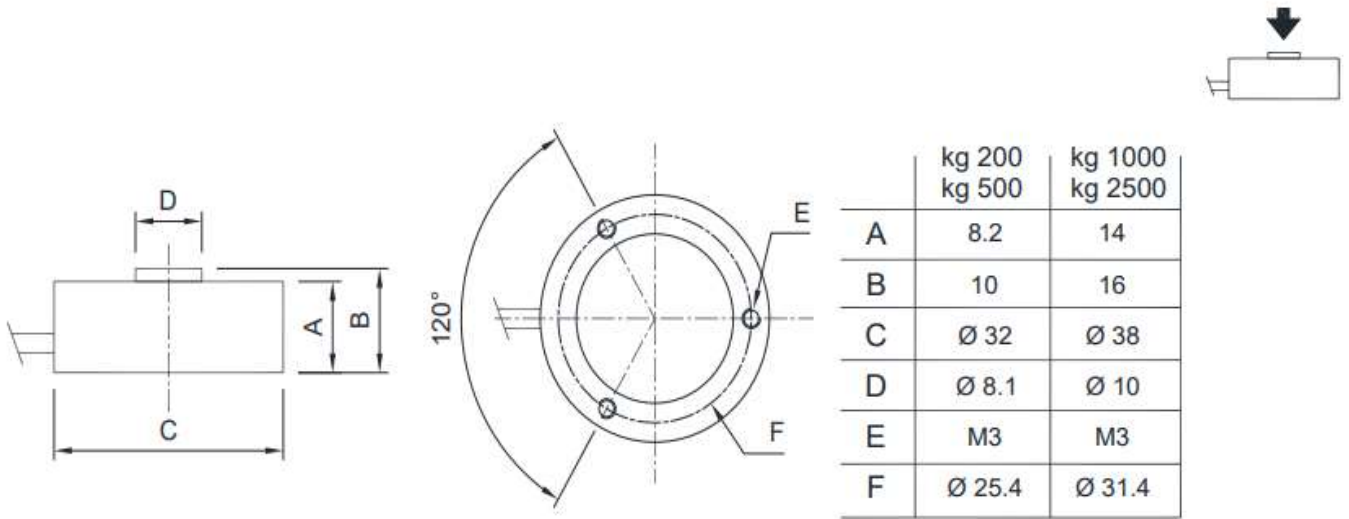
Capacity from 200 kg to 2500 kg



CAPACITY	kg	NET WEIGHT (kg)	CODE
	200	0.11	MA1-200
	500	0.08	MA1-500
	1000	0.17	MA1-1000
	2500	0.17	MA1-2500

COMPRESSION LOAD CELL – LOW PROFILE

DIMENSIONS (mm)



TECHNICAL FEATURES

Material	17-4 PH stainless steel
Nominal load (E max)	200 - 500 - 1000 - 2500 kg
Combined error	≤±0.5%
Protection class	IP67

Rated output	1 mV/V ±15%	Input resistance	400 Ω ±100
Temperature effect on zero	0.005% °C	Output resistance	350 Ω ±5
Temperature effect on span	0.005% °C	Zero balance	±1%
Compensated temperature range	-10 °C / +50 °C	Insulation resistance	>5000 MΩ
Operating temperature range	-20 °C / +70 °C	Safe overload (% of full scale)	120%
Creep at nominal load in 30 minutes	0.3%	Ultimate overload (% of full scale)	200%
Max supply voltage without damage	15 V	Deflection at nominal load	0.3 mm

ELECTRICAL CONNECTIONS

Cable length	5 m
Cable diameter	3 mm
Cores	4 x 0.25 mm ²

