

DSB1

DOUBLE SHEAR BEAM LOAD CELL



IP68

Capacity 25000 kg

SPECIAL STEEL

COMBINED ERROR $\leq \pm 0.02\%$ PROTECTION

CLASS IP68



CAPACITY	kg	ACCURACY CLASS	NET WEIGHT (kg)	CODE
	25000	C3	16	DSB1-25000

CERTIFICATIONS

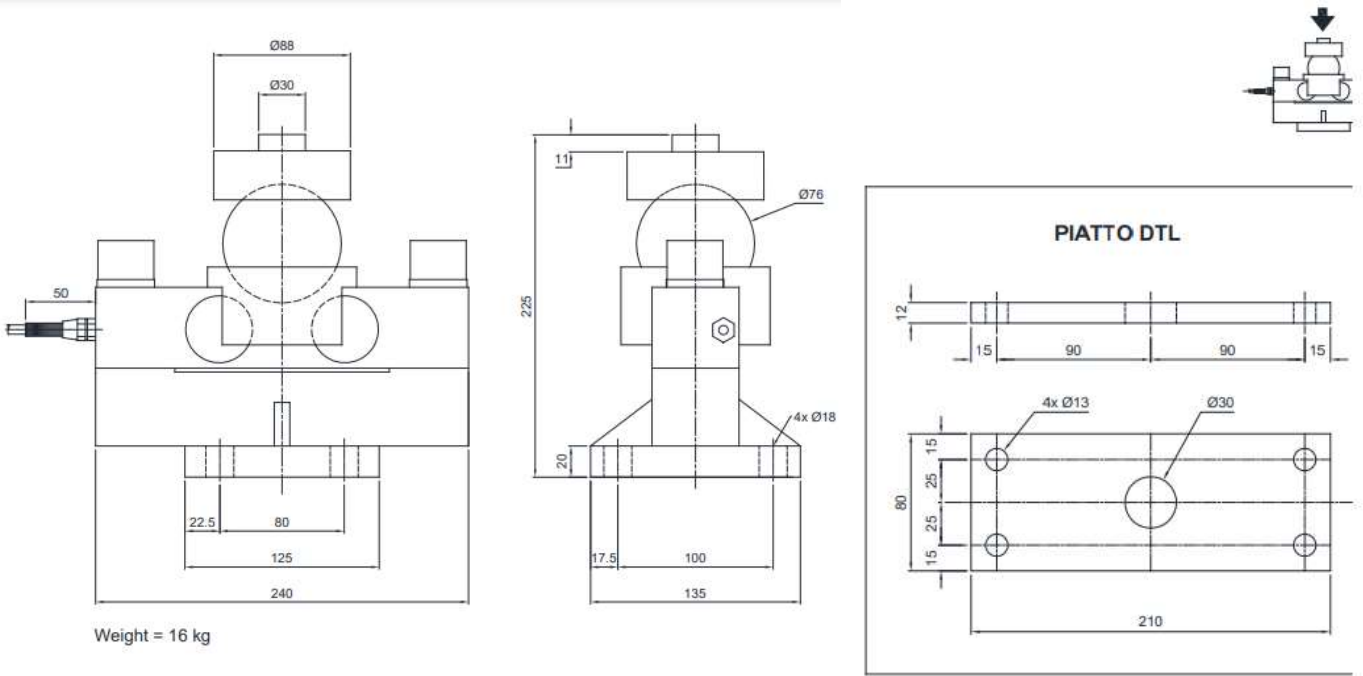


OIML R60 C3

DSB1

DOUBLE SHEAR BEAM LOAD CELL

DIMENSIONS (mm)



TECHNICAL FEATURES

Material	Special steel
OIML R60 Accuracy class • Verification intervals	C3 • 3000
Nominal load (E max)	25000 kg
Minimum verification interval (V min)	E max / 15000
Combined error	±0.02%
Protection class	IP68

Rated output	2 mV/V ±0.1%	Input resistance	700 Ω ±7
Temperature effect on zero	0.002% °C	Output resistance	700 Ω ±7
Temperature effect on span	0.002% °C	Zero balance	±1%
Compensated temperature range	-10 °C / +40 °C	Insulation resistance	>5000 MΩ
Operating temperature range	-35 °C / +65 °C	Safe overload (% of full scale)	150%
Creep at nominal load in 30 minutes	0.016%	Ultimate overload (% of full scale)	200%
Max supply voltage without damage	18 V	Deflection at nominal load	0.6 mm

ELECTRICAL CONNECTIONS

Cable length	20 m
Cable diameter	6 mm
Cores	4 x 0.22 mm ²



SHIELD	
+ SIGNAL	GREEN
+ EXCITATION	RED
- SIGNAL	WHITE
- EXCITATION	BLACK