

CT3

VEIDA

SMART WEIGHING

COMPRESSION/TENSION LOAD CELL



Manufactured according to OIML R60 standards

Capacity from 2000 kg to 20000 kg

- SPECIAL STEEL
- BIDIRECTIONAL TENSION AND COMPRESSION
- COMBINED ERROR $\leq \pm 0.05\%$ (0.1% capacities 10000 kg and 20000 kg)
- PROTECTION CLASS IP67

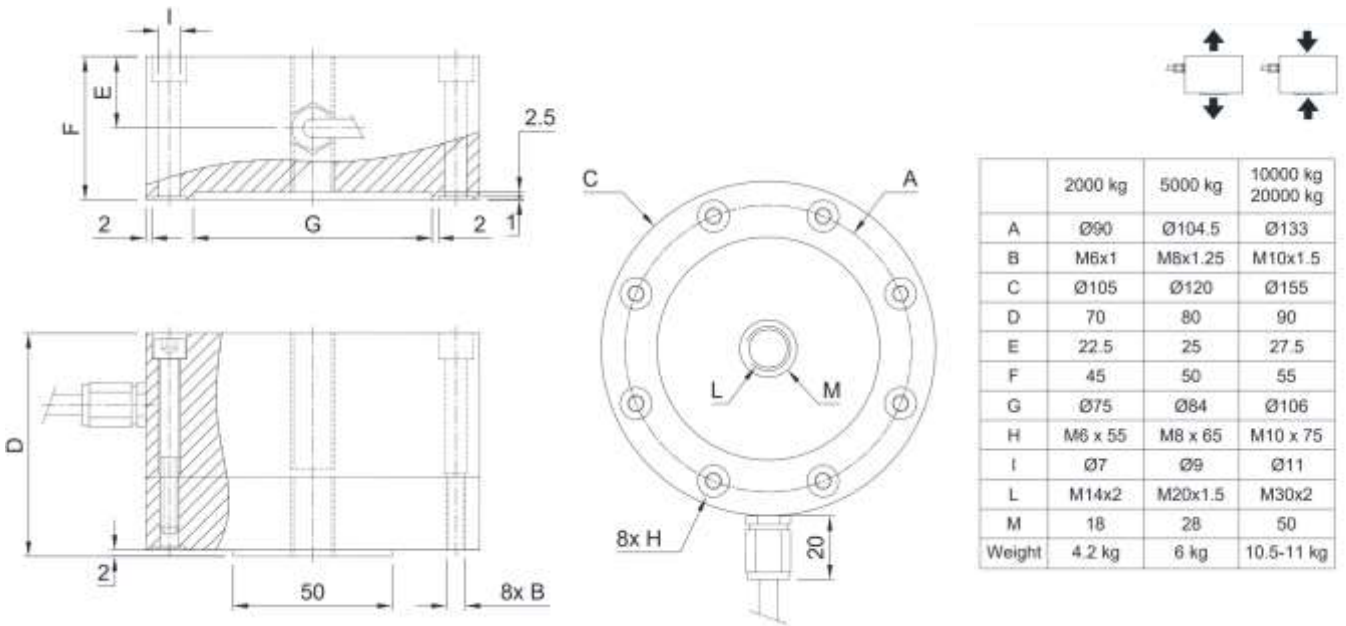


| CAPACITY | kg | NET WEIGHT (kg) | CODE |
|----------|-------|-----------------|-----------|
| | 2000 | 4.2 | CT3-2000 |
| | 5000 | 5.8 | CT3-5000 |
| | 10000 | 10.5 | CT3-10000 |
| | 20000 | 11 | CT3-20000 |

CT3

COMPRESSION/TENSION LOAD CELL

DIMENSIONS (mm)



TECHNICAL FEATURES

| | | | |
|-------------------------------------|-----------------|-------------------------------------|-----------|
| Material | Special steel | | |
| Nominal load (E max) | 2000 - 5000 kg | 10000 - 20000 kg | |
| Combined error | ≤±0.05% | ≤ ±0.1% | |
| Protection class | IP67 | | |
| Rated output | 2 mV/V ±0.3% | Input resistance | 352 Ω ±3 |
| Temperature effect on zero | 0.002% °C | Output resistance | 400 Ω ±20 |
| Temperature effect on span | 0.002% °C | Zero balance | ±1% |
| Compensated temperature range | -10 °C / +50 °C | Insulation resistance | >5000 MΩ |
| Operating temperature range | -30 °C / +70 °C | Safe overload (% of full scale) | 150% |
| Creep at nominal load in 30 minutes | 0.03% | Ultimate overload (% of full scale) | 200% |
| Max supply voltage without damage | 15 V | Deflection at nominal load | 0.3 mm |

ELECTRICAL CONNECTIONS

| | |
|----------------|--------------------------|
| Cable length | 12 m |
| Cable diameter | 6 mm |
| Cores | 6 x 0.24 mm ² |

