

# CT2

# VEIDA

SMART WEIGHING

## COMPRESSION/TENSION LOAD CELL



IP67



IP68

Manufactured according to OIML R60 standards

### Capacity from 500 kg to 200000 kg

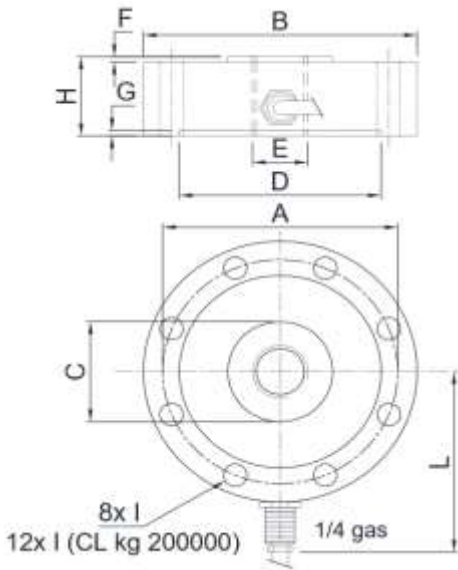
- 17-4 PH STAINLESS STEEL
- BIDIRECTIONAL TENSION AND COMPRESSION
- COMBINED ERROR  $\leq \pm 0.05\%$
- PROTECTION CLASS: IP68 (500 - 60000 kg) - IP67 (100000 - 200000 kg)



CAPACITY	kg	NET WEIGHT (kg)	CODE
	500	1.2	CT2-500
	1000	1.2	CT2-1000
	2000	1.2	CT2-2000
	5000	1.7	CT2-5000
	10000	1.8	CT2-10000
	20000	4.8	CT2-20000
	30000	5.3	CT2-30000
	60000	5.4	CT2-60000
	100000	12	CT2-100000
	150000	-	CT2-150000
	200000	-	CT2-200000

## COMPRESSION/TENSION LOAD CELL

### DIMENSIONS (mm)



	kg 500 kg 1000 kg 2000	kg 5000 kg 10000	kg 20000 kg 30000 kg 60000	kg 100000	kg 150000	kg 200000
A	Ø 85	Ø 94	Ø 136	Ø 175	Ø 213	Ø 254
B	Ø 99	Ø 109	Ø 164	Ø 219	Ø 249	Ø 299
C	Ø 31	Ø 38	Ø 70	Ø 88	Ø 140	Ø 170
D	Ø 72	Ø 78	Ø 113	Ø 135	Ø 176	Ø 210
E	M20 x 1.5	M24 x 2	M48 x 3	M64 x 4	M72 x 4	M90 x 6
F	2	2	5	5	5	5
G	1.5	1.5	2	3	3	3
H	30	35	50	70	70	80
I	Ø 8.5	Ø 8.5	Ø 16.5	Ø 26	Ø 26	Ø 26
L	68.5	73.5	101	128.5	143.5	168.5
Weight	1.1	1.4	5	11	16	26



### TECHNICAL FEATURES

Material	AISI 420 Stainless steel		
Nominal load ( E max)	500 - 1000 - 2000 - 5000 - 10000 - 20000 - 30000 - 60000 - 100000 - 150000 - 200000 kg		
Combined error	≤±0.05%		
Protection class	IP68 (500 - 60000 kg), IP67 (100000 - 200000 kg)		
Rated output	2 mV/V ±0.3%	Input resistance	700 Ω ±20
Temperature effect on zero	0.005% °C	Output resistance	700 Ω ±5
Temperature effect on span	0.005% °C	Zero balance	±1%
Compensated temperature range	-10 °C / +50 °C	Insulation resistance	>5000 MΩ
Operating temperature range	-20 °C / +70 °C	Safe overload (% of full scale)	150%
Creep at nominal load in 30 minutes	0.3%	Ultimate overload (% of full scale)	300%
Max supply voltage without damage	15 V	Deflection at nominal load	0.3 mm

### ELECTRICAL CONNECTIONS

Cable length	5 m
Cable diameter	5 mm
Cores	6 x 0.14 mm <sup>2</sup>

