

CT1

VEIDA

SMART WEIGHING

COMPRESSION/TENSION LOAD CELL



IP65

Manufactured according to OIML R60 standards

Capacity from 50 kg to 500 kg

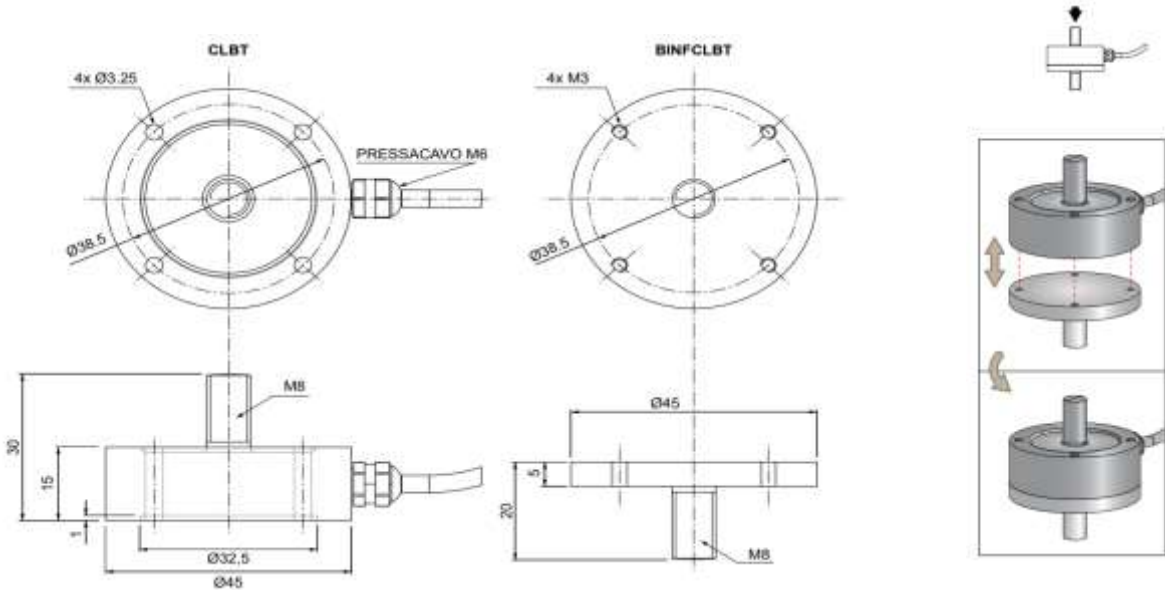
- 50-100 kg: ALUMINIUM ALLOY (AVIONAL)
- 500 kg: 17-4 PH STAINLESS STEEL
- COMBINED ERROR $\leq \pm 0.05\%$
- PROTECTION CLASS IP65



CAPACITY	kg	NET WEIGHT (kg)	CODE
	50	0.15	CT1-50
	100	0.15	CT1-100
	500	0.25	CT1-500

COMPRESSION/TENSION LOAD CELLS

DIMENSIONS (mm)

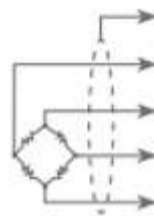


TECHNICAL FEATURES

Material	Aluminium alloy (Avional)	17-4 PH stainless steel
Nominal load (E max)	50 - 100 kg	500 kg
Combined error	≤±0.05%	
Protection class	IP65	
Rated output	2 mV/V ±10%	Input resistance 700 Ω ±20
Temperature effect on zero	0.005% °C	Output resistance 700 Ω ±5
Temperature effect on span	0.005% °C	Zero balance ±1%
Compensated temperature range	-10 °C / +50 °C	Insulation resistance >5000 MΩ
Operating temperature range	-20 °C / +70 °C	Safe overload (% of full scale) 150%
Creep at nominal load in 30 minutes	0.03%	Ultimate overload (% of full scale) 300%
Max supply voltage without damage	5 ÷ 15 V	Deflection at nominal load 0.3 mm

ELECTRICAL CONNECTIONS

Cable length	5 m
Cable diameter	5 mm
Cores	6 x 0.088 mm ²



SHIELD	
+ SIGNAL	GREEN
+ EXCITATION	RED
+ REF./SENSE	BLUE
- SIGNAL	WHITE
- EXCITATION	BLACK
- REF./SENSE	BROWN